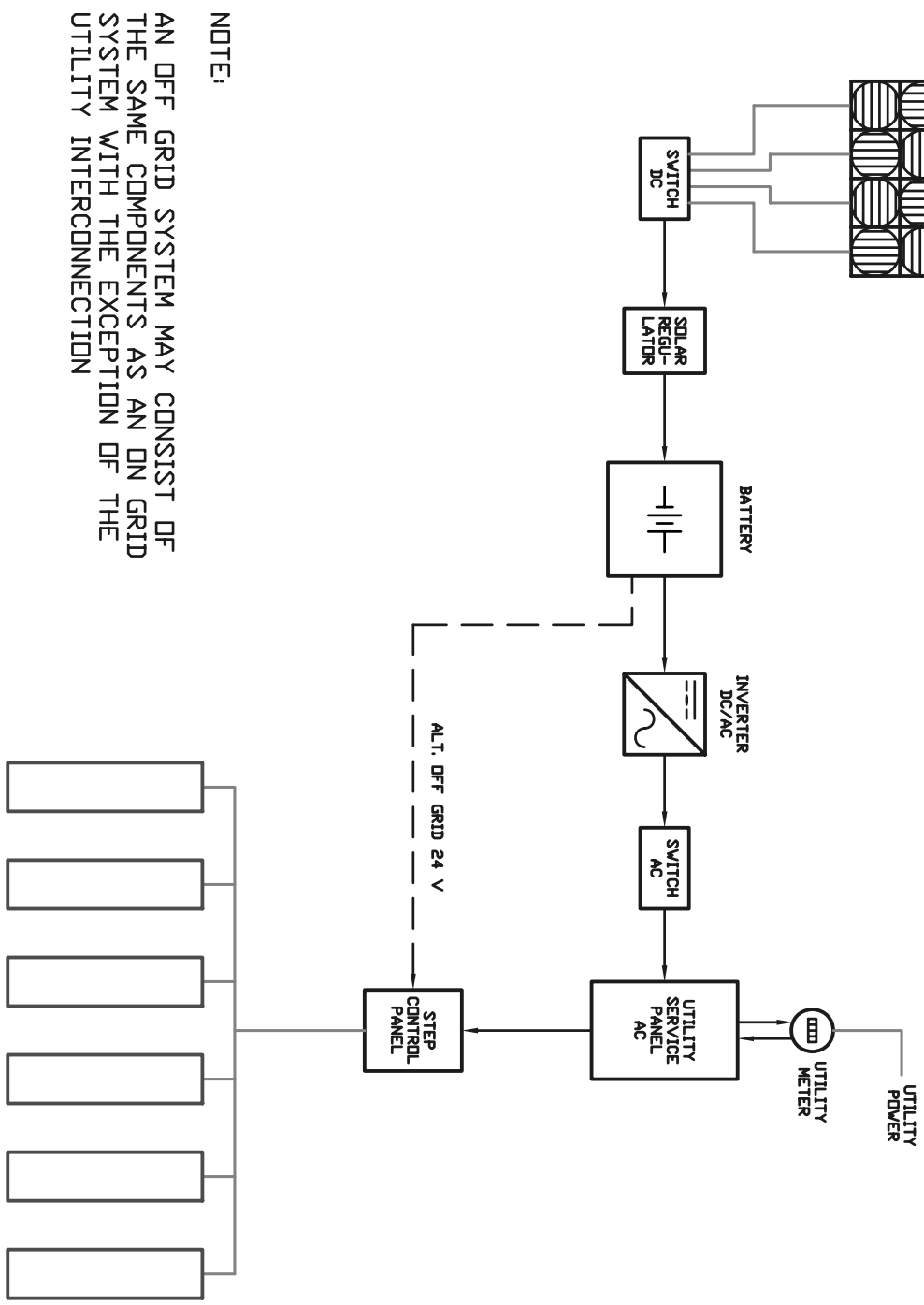


SOLAR SYSTEM W/ STEP WARMFLOOR (SCHEMATIC DIAGRAM)



NOTE:

AN OFF GRID SYSTEM MAY CONSIST OF THE SAME COMPONENTS AS AN ON GRID SYSTEM WITH THE EXCEPTION OF THE UTILITY INTERCONNECTION