



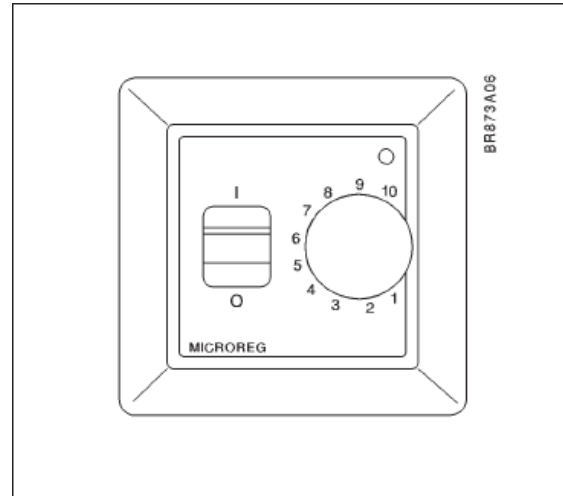
MICROREG MRC Time-Proportional Controller

Installation & Operation Manual

Controller Application

The MICROREG is a time-proportional controller for infinitely variable pre-setting of the requested heating output with a cycle period of 30 minutes. The MICROREG controller is not connected to a sensor.

The requested pulse/pause ratio can be set continuously from 1 to 10 equaling 10 to 100% power supply. This means that in position 5, the unit will energize the heating elements for approx. 15 minutes and de-energize them for approx. 15 minutes, thereby reducing half the energy consumption.



Position	Minutes Energized Per 30 Minute Cycle	Position	Minutes Energized Per 30 Minute Cycle
1	3	6	18
2	6	7	21
3	9	8	24
4	12	9	27
5	15	10	30

The MRC unit is designed to be installed in a standard single gang-electrical box with a minimum width of 2-1/4". Once installed, it requires no maintenance.

Technical Data

Product Type	Supply Voltage	Load
MRC-16UH	240V AC \pm 10%, 60 Hz	Max. 2000W
MRC-26UH	120V AC \pm 10%, 60 Hz	Max. 1000W
Built-in on/off switch	2-pole	
Max. front fuse	16 A	
Cycle time	approx. 30 minutes	
Pulse/pause ratio	10 - 100%	
Ambient temperature	32/+104°F	
Protection	IP20	
Classification	Class II device according to UL8730-1	
Dimensions (H x W x D)	4.5" x 3.3" x 2.0"	(115 x 84 x 50 mm)
Expected lifetime (relay)	8A 6 years	4A 12 years

Installation (See Figures 1 & 2)

- MICROREG should be mounted in flush wall socket.
- Supply voltage is to be connected to terminals (1-2).
- Check that the product type is correct for the incoming supply voltage (240V or 120V).
- Load is to be connected to terminals (3-4).
- Terminal PE can be applied as a loop terminal for grounding.

1. Remove adjustment dial (A).
2. Loosen screw (B) to remove cover.
3. Connect as shown in connection diagram (Figure 2).
4. Place MICROREG in wall socket.
 - remount frame and cover.
 - reposition adjustment dial (A)

Figure 1

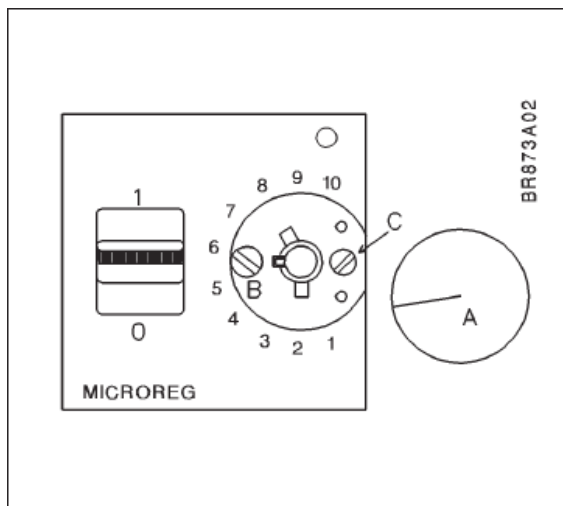
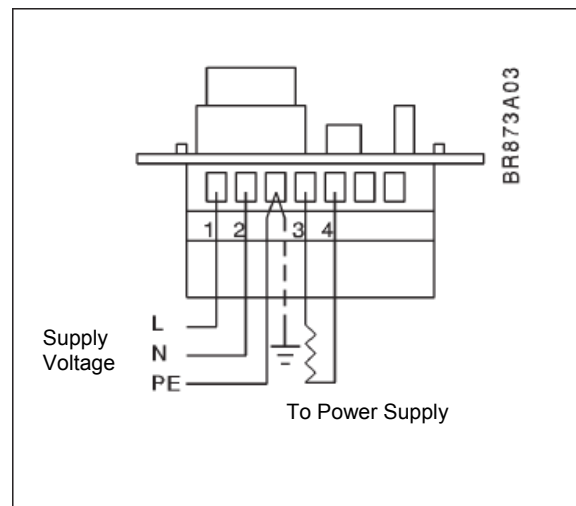


Figure 2



Min./Max. Setting

Behind the adjustment dial there is a locking mechanism. By loosening screw (C) (see Figure 1), the heat level setting can be locked optionally, between 1 and 10. The blue ring indicates the min. setting and the red ring indicates the max. setting.

To have full setting range, with a screwdriver, fully turn the plastic knob [located between screw (B) and screw (C)] clockwise, and insert the dial with the line marker in position 10.

WARNING

The heating system may not be energized unless it is installed according to the aforementioned instructions and all applicable codes are met.

Warranty is void if not installed according to these instructions and proper procedure.

CAUTION

Disconnect all electrical power prior to installing or servicing this unit.

Approvals

MRC controls are UL and cUL Listed and meet UL8730-1 and UL8730-2 standards for temperature indicating and regulating equipment.